



## PELLET STOVE AND INSERT COLLECTION



KINDERHOOK



DAVENPORT



DAVENPORT INSERT

## KINDERHOOK FREESTANDING PELLET STOVE



The Kinderhook boasts a 130 LB hopper, an Integrated hearth pad, large ash pan, and digital controls. This is truly a turn key pellet stove solution that customers hail as a “reliable workhorse of a pellet stove”. This high BTU utility stove includes an interior steel brick panel, whisper quiet fan and state of the art digital control board.

- Huge ash drawer
- Up to 80+ hrs burn time
- 130lb hopper
- Integrated hearth pad
- Thermostat ready
- Digital control Board
- 160 cfm variable speed fan
- Large Heat Exchanger
- Electronic igniter
- 2,500 sq ft heating capacity
- 3” vent
- Overall Efficiency HHV 77%
- 10,000 - 50,000 BTU’s
- Remote Control Capable
- 1.4 grams/hr Emission Rate

### CLEARANCES TO COMBUSTIBLES:

These dimensions are minimum clearances but it is recommended that you ensure sufficient room for servicing, routine cleaning, and maintenance.

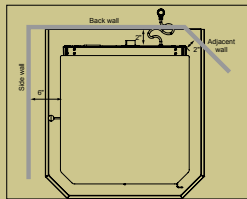
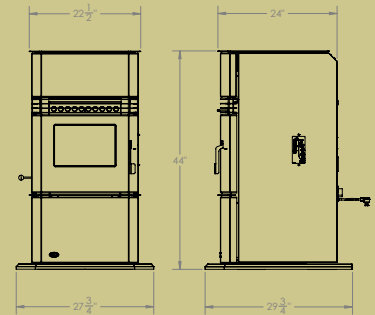
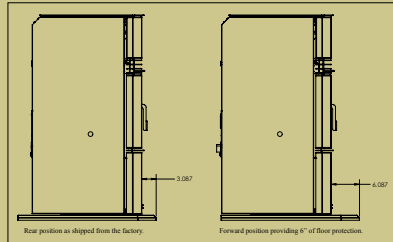


Figure 4: Minimum Clearances to Combustibles for Freestanding Kinderhook.

### ADJUSTABLE PEDESTAL/FLOOR PROTECTION:

If the unit is installed on combustible material, there must be a minimum of 6” of floor protection in front of the unit. The Kinderhook has an adjustable pedestal base which has two positions. When in the forward position as shown below, it provides 6” of floor protection and a hearth pad is not needed. The bolts for adjusting the pedestal base are located under the unit.



## DAVENPORT FREESTANDING PELLET STOVE WITH LEGS OR PEDESTAL



The Davenport (which comes in pedestal or leg configuration) offers an old world charm with it’s traditional design and will elegantly heat your home for years to come. The Davenport is constructed with our heavy duty heat exchanger and whisper quiet convection fan. The step-top design offers extended hopper capacity, which insures longer refill intervals and extended heating value.



- Fully automatic controls
- Thermostat ready
- Digital control Board
- 160 cfm variable speed fan
- Large Heat Exchanger
- Electronic igniter
- 2,500 sq ft heating capacity
- 3” vent
- Overall Efficiency HHV 77%
- 10,000 - 50,000 BTU’s
- up to 44+ hrs burn time
- 70lb hopper
- Remote Control Capable
- 1.4 grams/hr Emission Rate



## DAVENPORT PELLETT INSERT

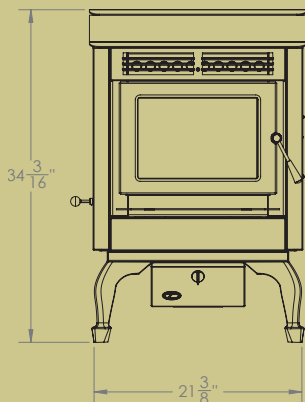
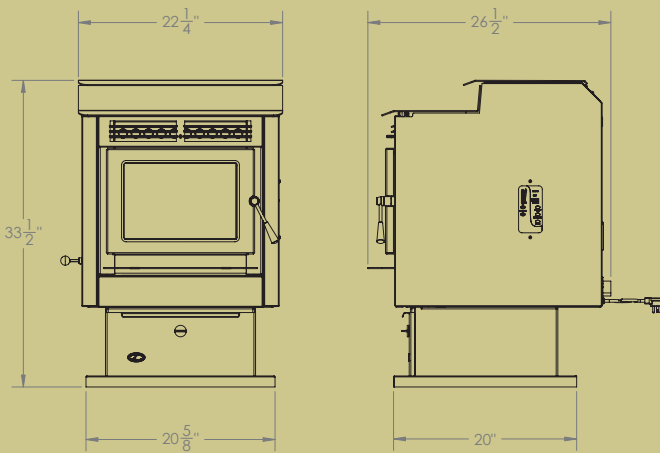
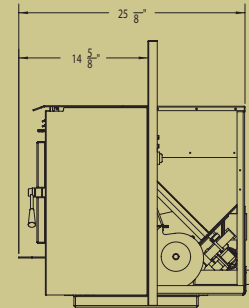
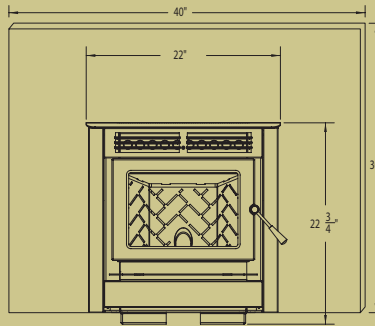
The Davenport insert offers all the best features that we can build into a fireplace insert. The large glass door offers a great view of the flame. The subtle matte finish and clean design blend well with almost any decor.

- Remote Control Capable
- 160 cfm variable speed fan
- Large Heat Exchanger
- 2,200 sq ft heating capacity
- 3" venting
- Overall Efficiency HHV 77%
- 10,000 - 50,000 BTU's
- up to 30+ hrs burn time
- 45lb hopper
- Thermostat Ready
- 1.4 grams/hr Emission Rate

### Installation Clearances:

The fireplace insert must be installed into a masonry fireplace. Surround faceplate not included.

- From the body of the heater to the side wall: 9 inches minimum
- From the body of the heater to the Facing on masonry fireplace: 8 inches minimum
- From the body of the heater to the 10" (203mm) mantle: 8 inches minimum
- Non Combustible Hearth 9 inches in front, 6 inches to side of heater



### ALCOVE CLEARANCES - FREESTANDING:

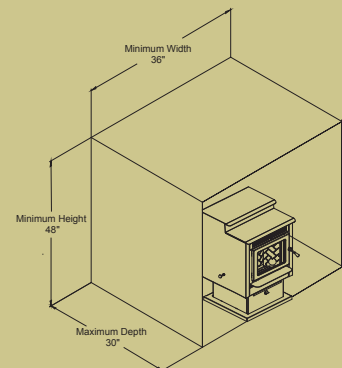


Figure 6: Alcove Clearances Freestanding Davenport.

### CLEARANCES TO COMBUSTIBLES - FREESTANDING:

These dimensions are minimum clearances but it is recommended that you ensure sufficient room for servicing, routine cleaning, and maintenance.

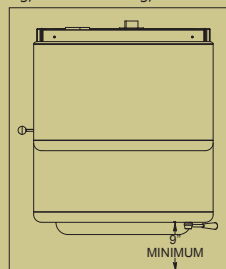


Figure 4: Davenport on Floor Protection.

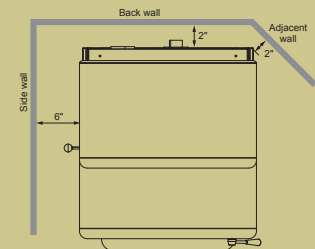


Figure 5: Minimum Clearances to Combustibles for Freestanding Davenport.

This pellet stove requires floor protection. The floor protection must be non-combustible, extending beneath the stove the full width and depth of the unit including 9" in front for ember protection.



Made in North America



1

The same parts means less complications when it comes to repairs and service. Service techs will always have parts in stock and have a thorough knowledge of how to work on your unit.



2

Unlike many companies we use steel in our burn chambers instead of ceramics. This adds to the durability and longevity of your stove.



3

We use a burn pot liner, opposed to one solid piece. A pellet stove burn pot is subjected to a lot of abuse and erodes over time. Because we use a liner it can be easily replaced at a significant savings over replacing the entire assembly, saving you money over the life of your stove.



4

We use the same control boards on all of our models to increase savings and allow more efficient service. Our solid state control boards allow 3 modes of operation. Manual, Thermostat High/Low, and Thermostat On/Off. Ask your dealer about more details and which settings are right for you.



5

Our units boast an average 77% HHV efficiency rating among every line we produce. More efficient stoves equate to better savings for our customers and are better for the environment.

[www.hudsonriverstoves.com](http://www.hudsonriverstoves.com)